

Technical Bulletin

Model
911C2/C4/t

Group
5

Subject: Central Locking and Alarm
System Malfunctions

Part Identifier
5781

Number
9201

ATTENTION: Service Manager/Service Technician

Models Affected: *911 Carrera 2/4, Model Years 1989 (K),
1990 (L) and 1991 (M)
911 turbo, Model Year 1991 (M)*

Concern: Water entering door wiring harness. Central locking button /door lock buttons light up, alarm system activates spontaneously. Battery discharges from excessive current draw.

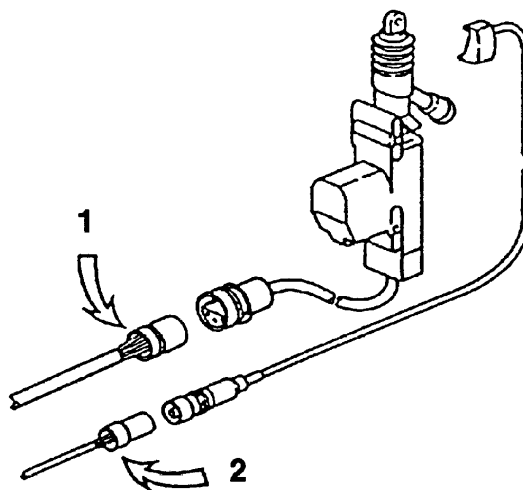


Figure 1

General Information: To prevent water from entering the door wiring harness connectors, the shrink tubing on the locking motor wiring plug (arrow 1, Figure 1) and alarm micro switch wiring plug (arrow 2, Figure 1) was discontinued from production date: April 29, 1991.

VIN: 96 _ MS 41 1509 - Coupe
96 _ MS 44 0726 - Targa
96 _ MS 46 2089 - Cabriolet
96 _ MS 48 0522 - turbo

Repair Information: When repairing central locking or alarm system malfunctions on vehicles prior to the above VIN numbers, 5 to 10mm of shrink tubing should be removed from wiring harnesses (arrows 1 and 2 in Figure 1).

Cut and remove shrunk tubing carefully. Do not cut into wiring. Clean wiring plug and terminals. Heavily corroded connectors or wiring should be replaced.

Check function of central locking and alarm system after repairs.



Technical Bulletin

Model
911C2/C4/t

Group
5

Subject: Central Locking and Alarm
System Malfunctions

Part Identifier
5781

Number
9201

Repair Information (cont.):

Note: If door panels are removed for other repairs on vehicles prior to the VIN numbers listed on page 1 of this bulletin, as a precautionary measure the door wiring harness shrink tubing should be removed.

Warranty Information:

Damage Code: 5781100001

Labor Operations:

70591900	R & R 1 Door Panel	90 Time Units
5781190A	Actual Time	30 Time Units

